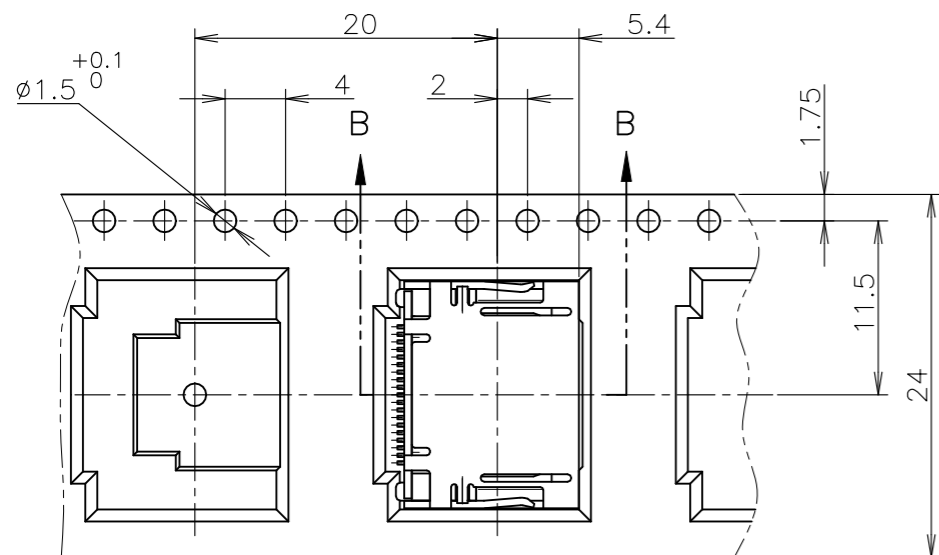
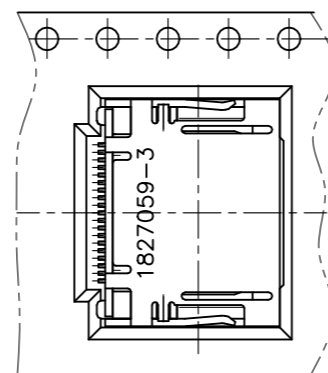


P	LTR	DESCRIPTION	DATE	DWN	APVD
F1		EOL ECR-24-199858	20 FEB 24	GVA	WZ



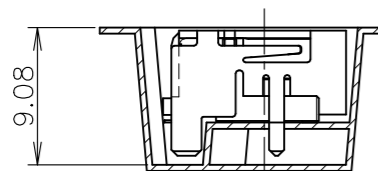
DETAIL A



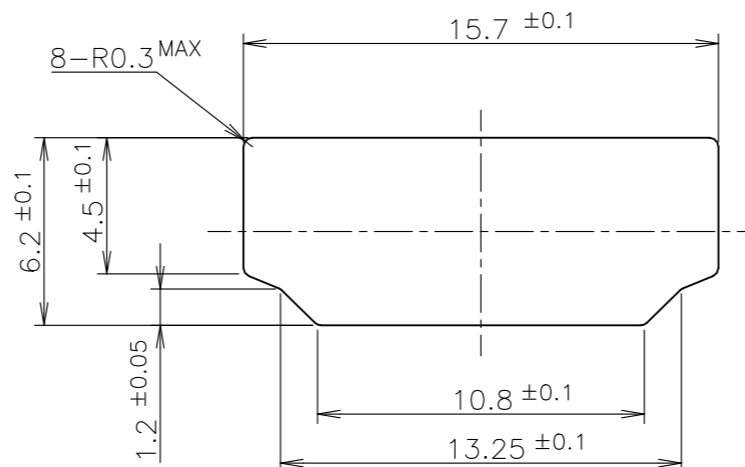
1827059-3 ONLY

- 1 CONTACT COPLANALITY IS 0.1 MAX.
- △2 FINISH
CONTACT: E μm MIN. Au PL. ON CONTACT AREA (E: SEE TABLE)
Sn PL. ON SOLDERING AREA
Ni UNDER PL. ALL OVER
SHELL: Sn PL. (MATTE) ALL OVER
Ni UNDER PL. ALL OVER
- △3 LABEL DESCRIPTION

TYCO P/N: 1827059-*
QTY: 300 pcs
D/C:
MADE IN CHINA

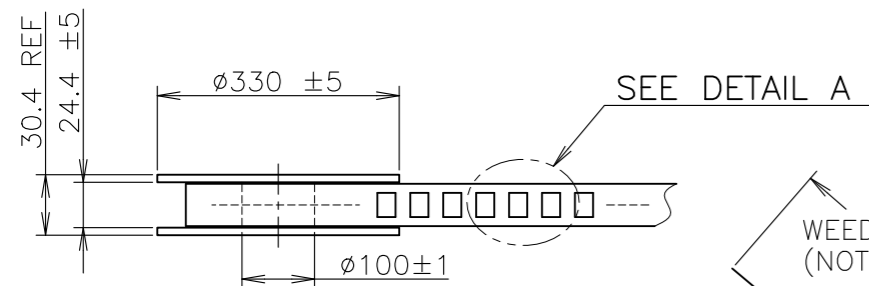


B-B



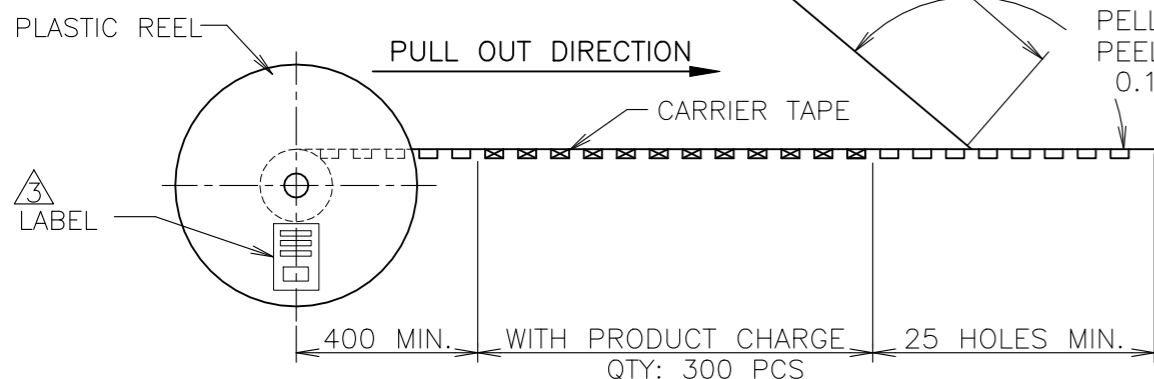
PANEL CUT OUT DIMENSION (REFERENCE)

- 1 コンタクトコプラナリティーは 0.1 以下。
- △2 仕上
コンタクト: コンタクトエリアに E μm 以上の 金めっき (E: 表参照)
半田付けエリアに すずめっき
ニッケル下地めっきを施す
シェル: すずめっき (MATTE)
ニッケル下地めっきを施す
- △3 ラベル表記: 英文注記参照



WEEDING THE COVER TAPE : 300 MIN (NOT INCLUDE EMPTINESS POCKET)

PELLING ANGLE: 165°~180°
PEELING STRENGTH: 0.1~0.7N (300mm/min.)



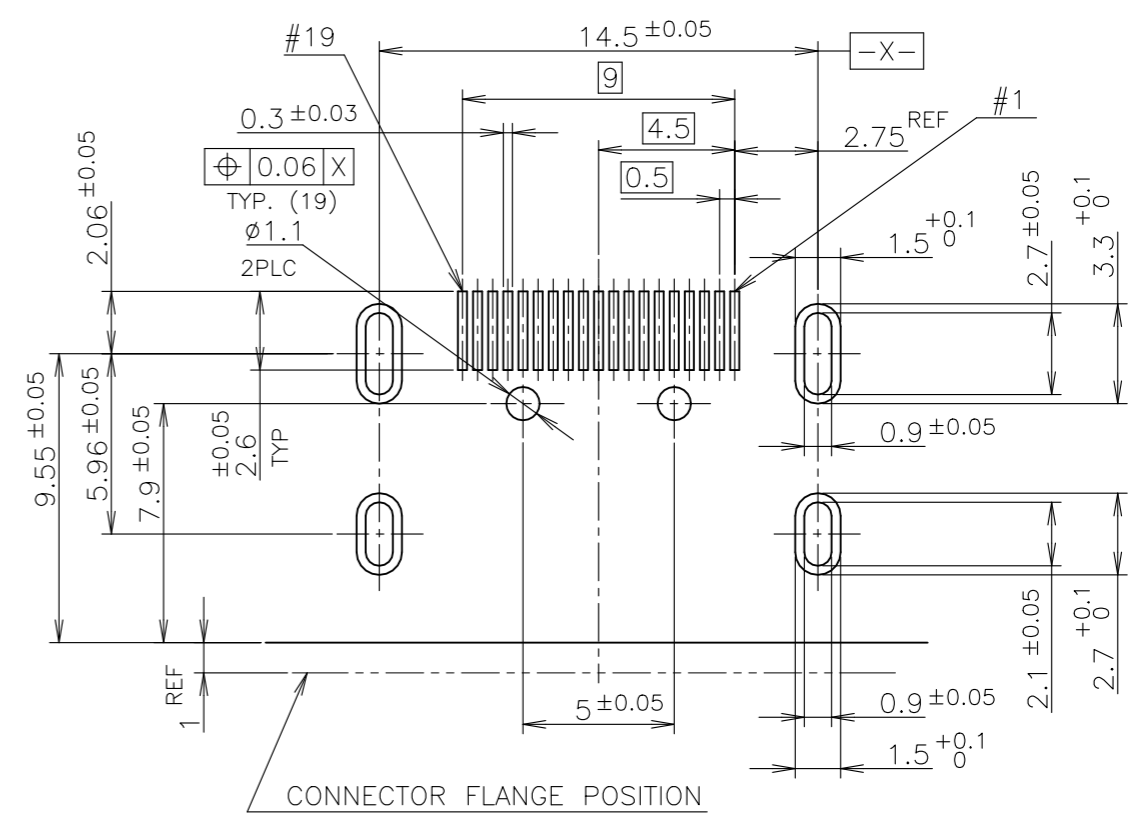
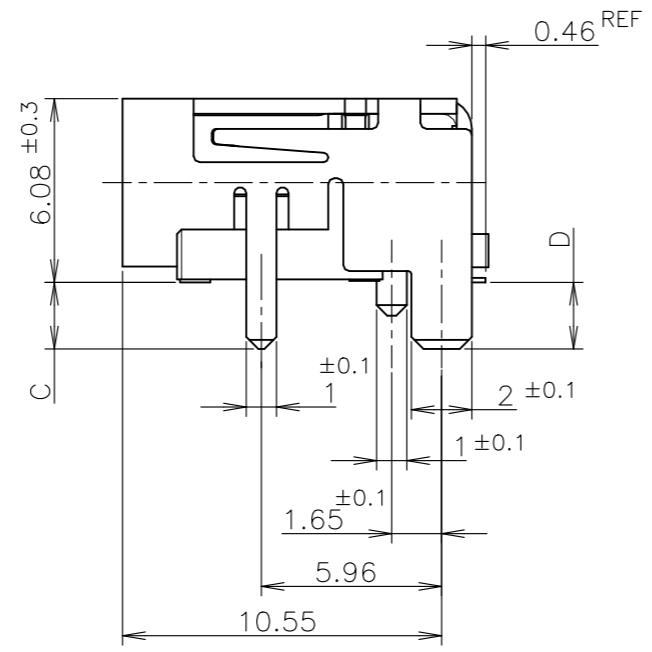
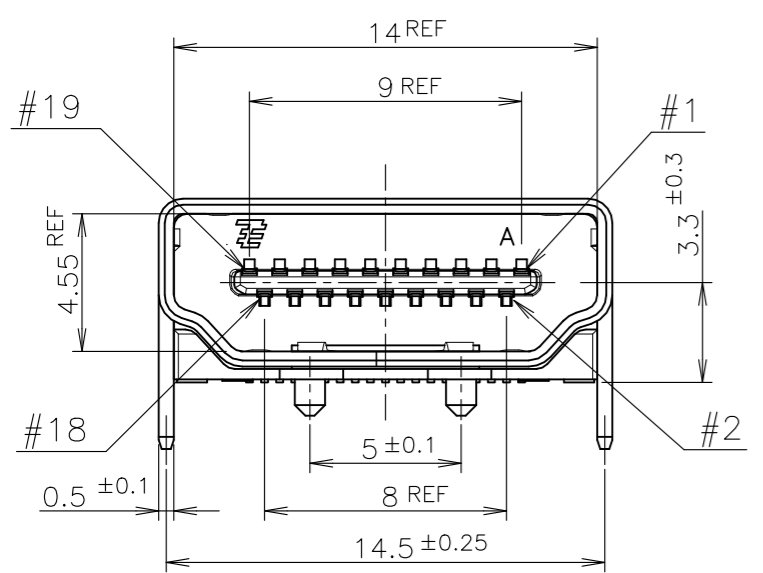
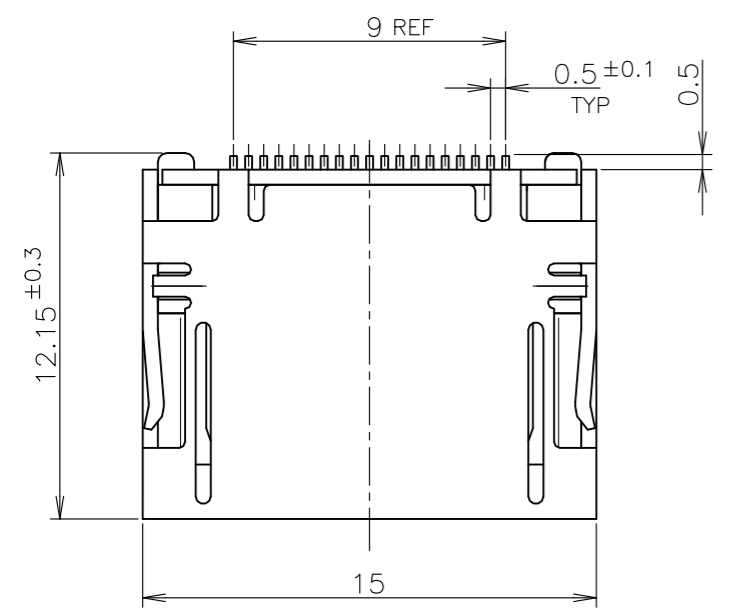
OBSOLETE	300	0.76	1.8	1.8	(SEE SHEET 3)	WITH BOSS	1827059-5
OBSOLETE	300	0.3	-	-	(SEE SHEET 3)	WITH BOSS	1827059-4
OBSOLETE	300	0.76	2.2	2.2	(SEE SHEET 3)	WITH BOSS	1827059-3
OBSOLETE	300	0.3	-	-	(SEE SHEET 2)	WITHOUT BOSS	1827059-2
OBSOLETE	300	0.76	-	-	(SEE SHEET 2)	WITHOUT BOSS	1827059-1

QTY	E	D	C	CONNECTOR	BOSS	PART NUMBER
△2 Au PL.	DIMENSION			PART LIST		

THIS DRAWING IS A CONTROLLED DOCUMENT.		DWN Y.HIRATA 22OCT2004	STE TE Connectivity Ltd.	
DIMENSIONS: 単位: 耗 mm		CHK T.KIMURA 22OCT2004		
TOLERANCES UNLESS OTHERWISE SPECIFIED: 一般公差		APVD K.IKEGAMI 22OCT2004	NAME 名称	
0-PLC ±		PRODUCT SPEC 製品規格		HDMI 19 POS RECEPTACLE ASSY SMT TYPE S
1-PLC ±		APPLICATION SPEC 取付適用規格		
2-PLC ± ±0.3		108-78180		SIZE A3
3-PLC ±		WEIGHT		CAGE CODE 00779
4-PLC ±		FINISH 仕上		DRAWING NO 番号 C-1827059
MATERIAL 材料		CUSTOMER DRAWING		RESTRICTED TO 番号
MATERIAL DESCRIPTION		SCALE 尺度 4:1		SHEET 1 OF 3
				REV F1

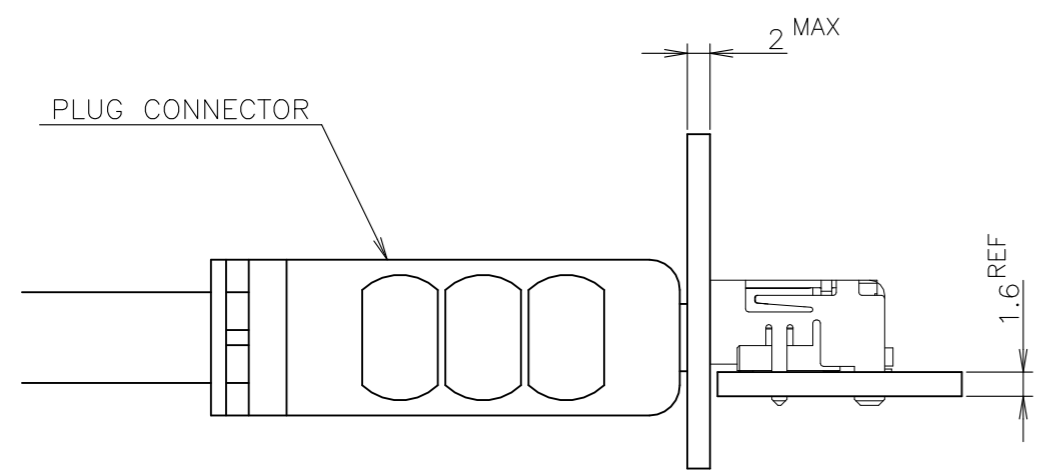
MATERIAL	DESCRIPTION
PET	COVER TAPE
PS	CARRIER TAPE
PLASTIC	REEL
MATERIAL	DESCRIPTION

REVISIONS 変更					
P	LTR	DESCRIPTION	DATE	DWN	APVD
-	-	SEE SHEET 1	-	-	-



P.C.B LAYOUT
SHOWN AS CONNECTOR MOUNTING SIDE
TOLERANCE: NON-CUMULATIVE
(REFERENCE)

PLUG CONNECTOR

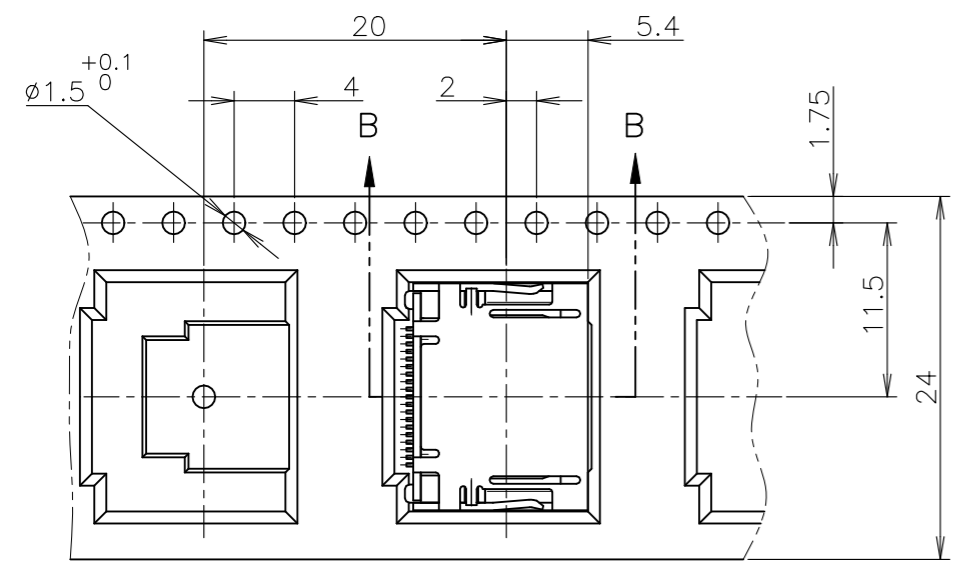


CONNECTOR WITH BOSS TYPE

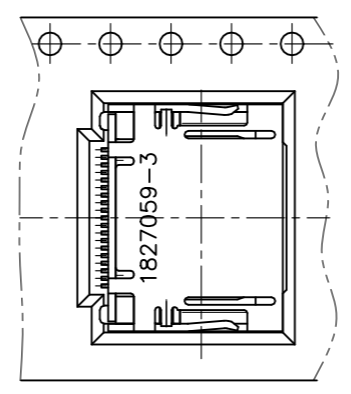
BRASS	CONTACT	3
PHOSPHOR BRONZE	SHELL	2
THERMOPLASTIC UL94V-0, BLACK COLOR	HOUSING	1
MATERIAL	DESCRIPTION	ITEM

THIS DRAWING IS A CONTROLLED DOCUMENT.		DWN	TE Connectivity Ltd.				
DIMENSIONS: 単位: 耗 mm		CHK				NAME 名称	
TOLERANCES UNLESS OTHERWISE SPECIFIED: 一般公差		APVD				HDMI 19 POS RECEPTACLE ASSY SMT TYPE S	
0 PLC ± 0.2 1 PLC ± 0.2 2 PLC ± 0.2 3 PLC ± 0.2 4 PLC ± 0.2 ANGLES ± 2°		PRODUCT SPEC 製品規格				SIZE	CAGE CODE
MATERIAL 材料	FINISH 仕上	APPLICATION SPEC 取付適用規格	A3	00779	G-1827059	-	
CUSTOMER DRAWING			WEIGHT	SCALE 尺度 4:1	SHEET 3 of 3	REV F1	

P	LTR	DESCRIPTION	DATE	DWN	APVD
F1		EOL ECR-24-199858	20 FEB 24	GVA	WZ



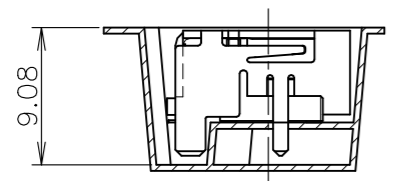
DETAIL A



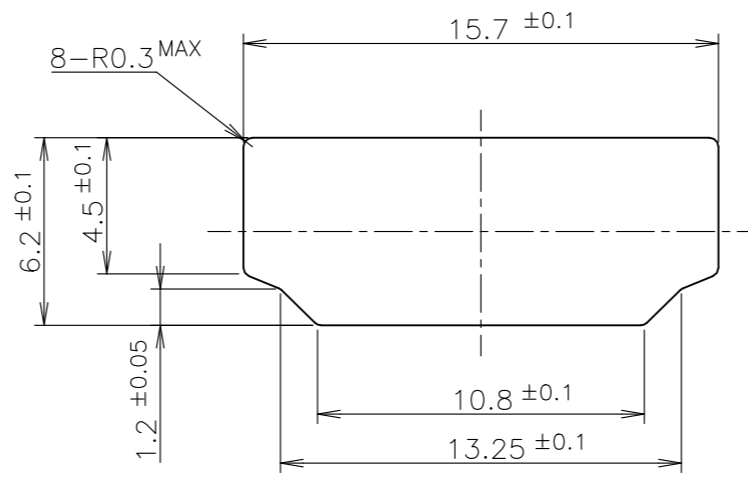
1827059-3 ONLY

- 1 CONTACT COPLANALITY IS 0.1 MAX.
- △2 FINISH
CONTACT: E μm MIN. Au PL. ON CONTACT AREA (E: SEE TABLE)
Sn PL. ON SOLDERING AREA
Ni UNDER PL. ALL OVER
SHELL: Sn PL. (MATTE) ALL OVER
Ni UNDER PL. ALL OVER
- △3 LABEL DESCRIPTION

TYCO P/N: 1827059-*
QTY: 300 pcs
D/C:
MADE IN CHINA

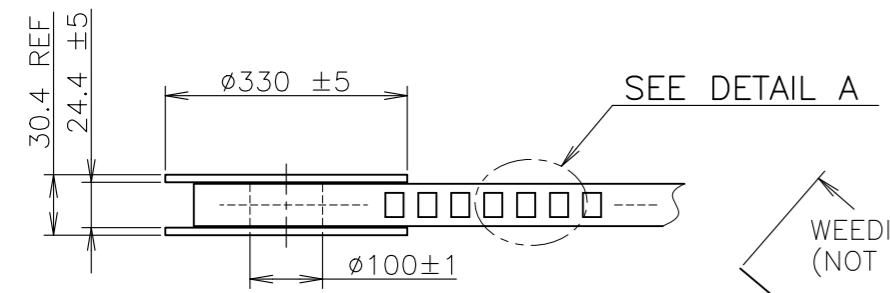


B-B

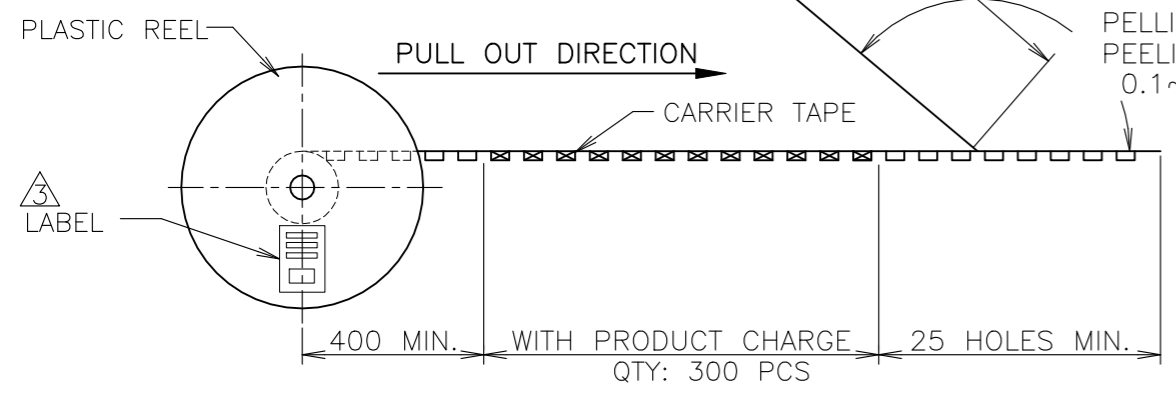


PANEL CUT OUT DIMENSION
(REFERENCE)

- 1 コンタクトコプラナリティーは 0.1 以下。
- △2 仕上
コンタクト: コンタクトエリアに E μm 以上の 金めっき (E: 表参照)
半田付けエリアに すずめっき
ニッケル下地めっきを施す
シェル: すずめっき (MATTE)
ニッケル下地めっきを施す
- △3 ラベル表記: 英文注記参照



WEEDING THE COVER TAPE : 300 MIN
(NOT INCLUDE EMPTINESS POCKET)
PELLING ANGLE: 165°~180°
PEELING STRENGTH:
0.1~0.7N (300mm/min.)



OBSOLETE	300	0.76	1.8	1.8	(SEE SHEET 3)	WITH BOSS	1827059-5
OBSOLETE	300	0.3	-	-	(SEE SHEET 3)	WITH BOSS	1827059-4
OBSOLETE	300	0.76	2.2	2.2	(SEE SHEET 3)	WITH BOSS	1827059-3
OBSOLETE	300	0.3	-	-	(SEE SHEET 2)	WITHOUT BOSS	1827059-2
OBSOLETE	300	0.76	-	-	(SEE SHEET 2)	WITHOUT BOSS	1827059-1
QTY		E	D	C	CONNECTOR	BOSS	PART NUMBER
		△2 Au PL.	DIMENSION			PART LIST	

THIS DRAWING IS A CONTROLLED DOCUMENT.

DIMENSIONS: 単位: 耗 mm	TOLERANCES UNLESS OTHERWISE SPECIFIED: 一般公差
0-PLC	±
1-PLC	±
2-PLC	±0.3
3-PLC	±
4-PLC	±
ANGLES	±
FINISH 仕上	

DWN	Y.HIRATA	22OCT2004
CHK	T.KIMURA	22OCT2004
APVD	K.IKEGAMI	22OCT2004
PRODUCT SPEC	製品規格	
APPLICATION SPEC	取付適用規格	
WEIGHT		



HDMI 19 POS
RECEPTACLE ASSY SMT TYPE S

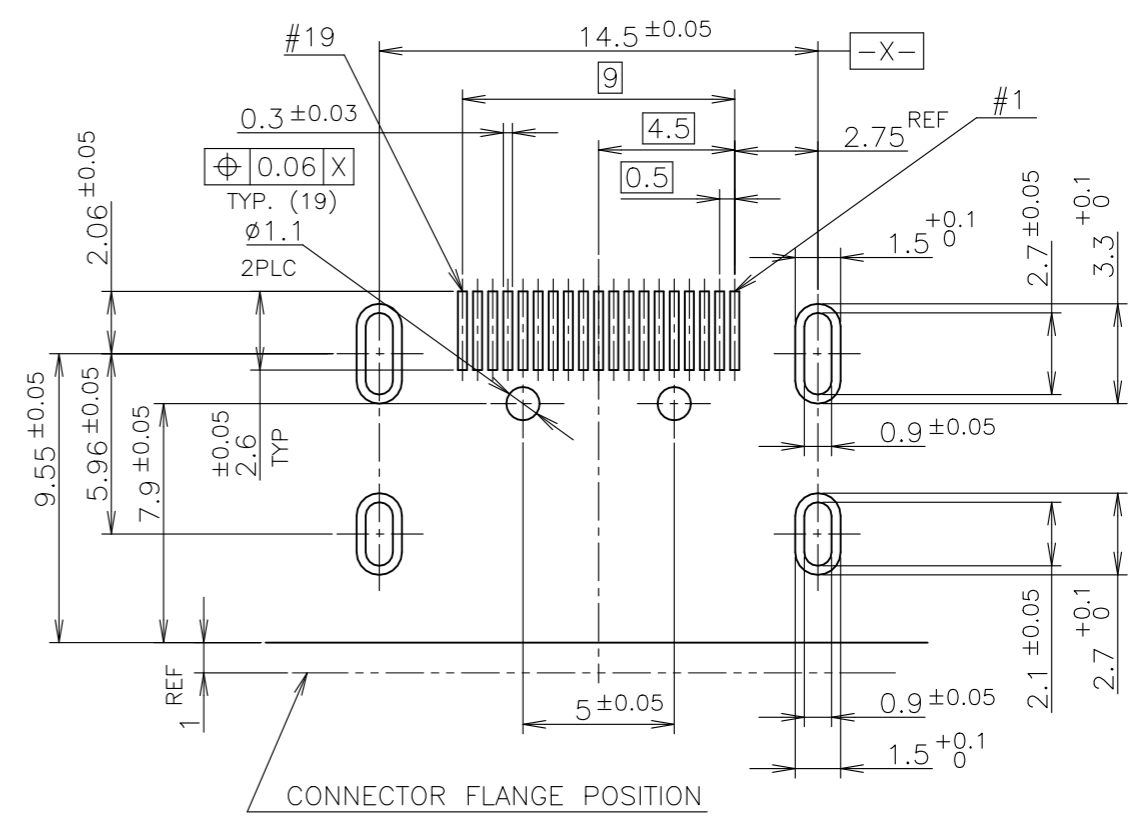
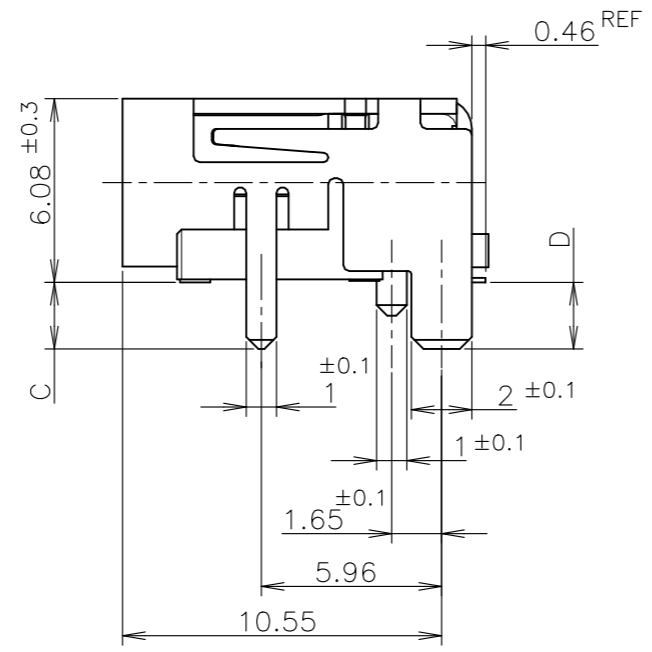
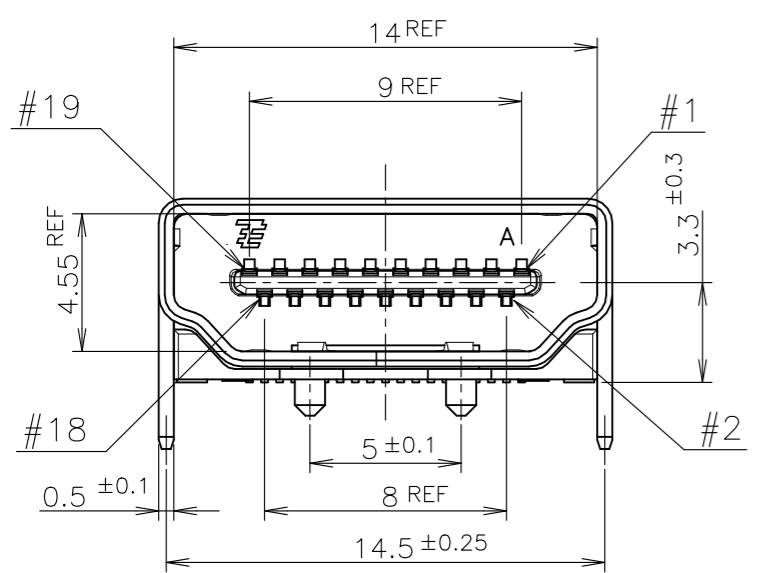
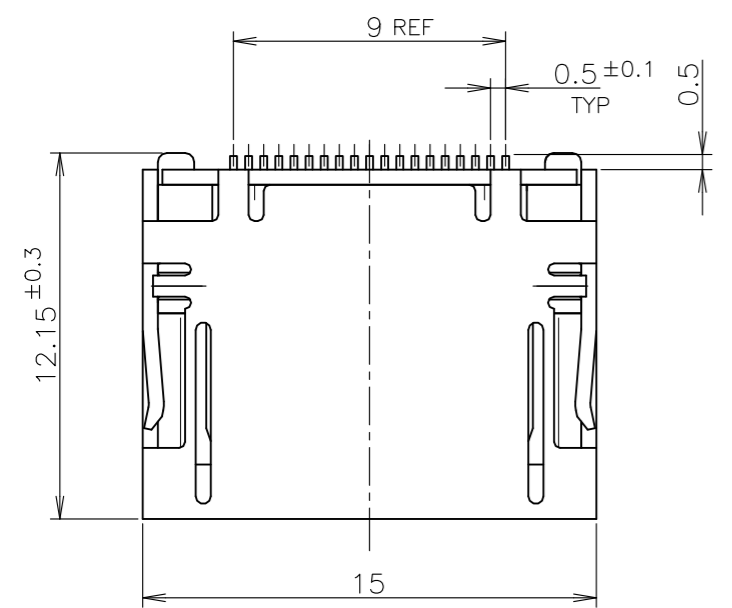
MATERIAL	DESCRIPTION
PET	COVER TAPE
PS	CARRIER TAPE
PLASTIC	REEL
MATERIAL	DESCRIPTION

SIZE	CAGE CODE	DRAWING NO	RESTRICTED TO
A3	00779	C-1827059	

CUSTOMER DRAWING

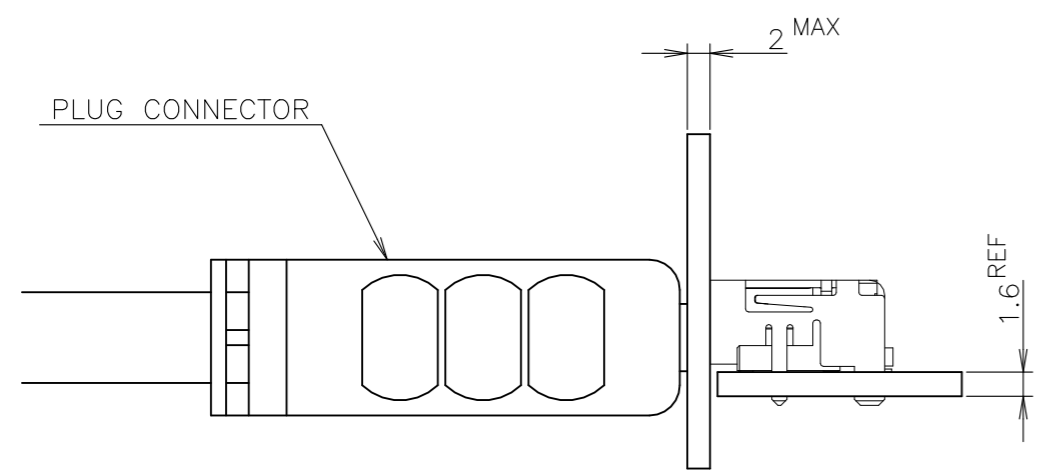
SCALE 4:1 SHEET 1 OF 3 REV F1

REVISIONS 変更					
P	LTR	DESCRIPTION	DATE	DWN	APVD
-	-	SEE SHEET 1	-	-	-



P.C.B LAYOUT
SHOWN AS CONNECTOR MOUNTING SIDE
TOLERANCE: NON-CUMULATIVE
(REFERENCE)

PLUG CONNECTOR



CONNECTOR WITH BOSS TYPE

BRASS	CONTACT	3
PHOSPHOR BRONZE	SHELL	2
THERMOPLASTIC UL94V-0, BLACK COLOR	HOUSING	1
MATERIAL	DESCRIPTION	ITEM

THIS DRAWING IS A CONTROLLED DOCUMENT.		DWN	TE Connectivity Ltd.					
DIMENSIONS: 単位: 耗 mm		CHK				NAME 名称		
TOLERANCES UNLESS OTHERWISE SPECIFIED: 一般公差		APVD				HDMI 19 POS RECEPTACLE ASSY SMT TYPE S		
0 PLC ± 0.2 1 PLC ± 0.2 2 PLC ± 0.2 3 PLC ± 0.2 4 PLC ± 0.2 ANGLES ± 2°		PRODUCT SPEC 製品規格				SIZE	CAGE CODE	DRAWING NO 番号
MATERIAL 材料	FINISH 仕上	APPLICATION SPEC 取付適用規格	A3 00779		G-1827059	-		
CUSTOMER DRAWING			WEIGHT	SCALE 尺度 4:1	SHEET 3 OF 3	REV F1		